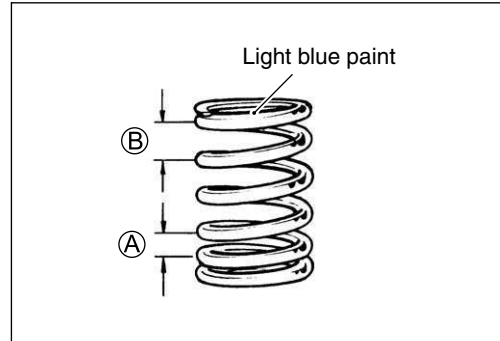
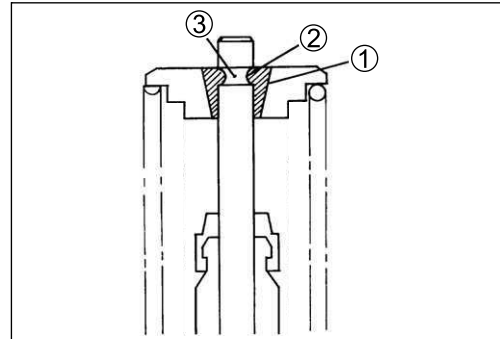


- Install the valve spring with the small-pitch portion ① facing cylinder head.
- ② Large-pitch portion



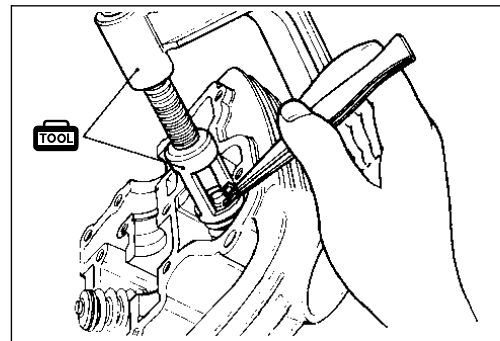
Put on the valve spring retainer using the valve spring compressor, press down the spring, fit the two cotter halves to the stem end, and release the compressor to allow the cotter ① to wedge in between seat and stem. Be sure that the rounded lip ② of the cotter fits snugly into the groove ③ in the stem end.



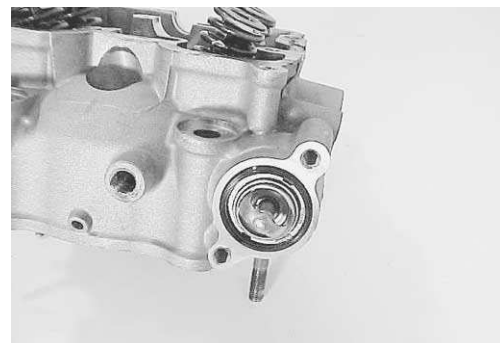
- TOOL** 09916-14510: Valve spring compressor
 09916-14910: Valve spring compressor attachment
 09916-84511: Tweezers

CAUTION

Be sure to restore each spring, valve and spring retainer to their original positions.



- Install the thermostat.



- Install the thermostat cover.
- Apply SUZUKI BOND “1207B”/“1215” to the engine coolant temperature switch ④ and tighten it to the specified torque.

- 1207B** 99104-31140: SUZUKI BOND “1207B” (USA)
1215 99000-31110: SUZUKI BOND “1215” (Others)

- U** Engine coolant temperature switch: 7.5 N·m
 (0.75 kgf·m, 5.5 lb-ft)

